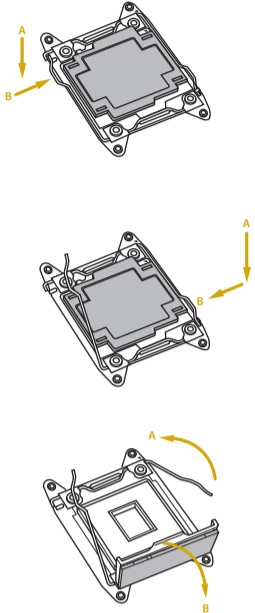
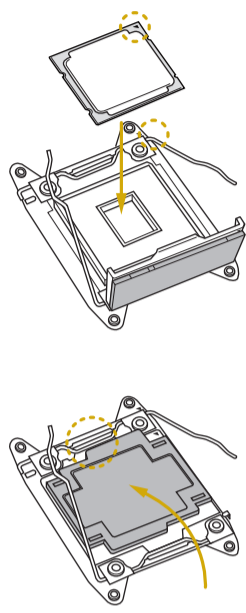


1 Install the Processor

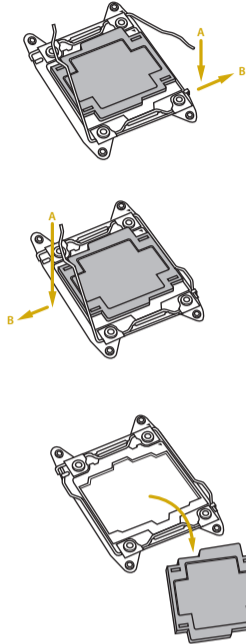
1 Open the socket levers and the CPU socket cover.



2 Install the processor and close the socket cover.



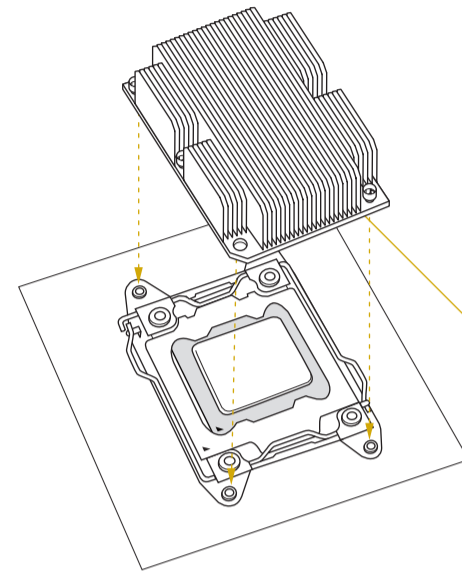
3 Close the socket levers. Remove the CPU protection cap.



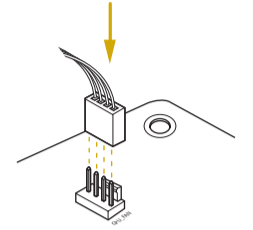
We recommend using the CPU Installation tool to avoid CPU pin-bent problem.

2 Install the CPU Fan and Heatsink

1 Apply the thermal grease. Install the CPU fan and heatsink and secure the screws.



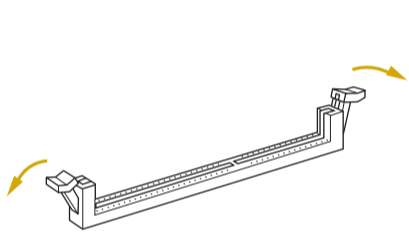
2 Connect the CPU fan to the CPU FAN connector.



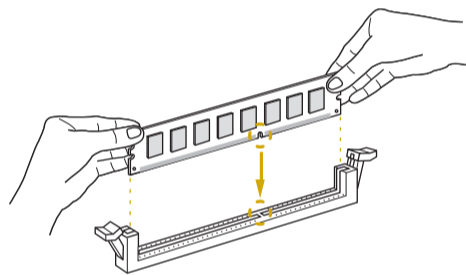
CPU fan for narrow ILM socket
*Support an active or passive heatsink

3 Install the Memory

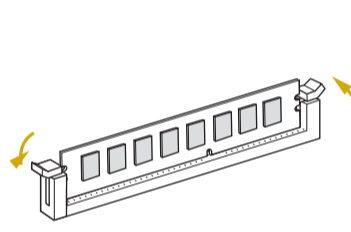
1 Unlock a DIMM slot by pressing the module clips outward.



2 Insert the memory module.



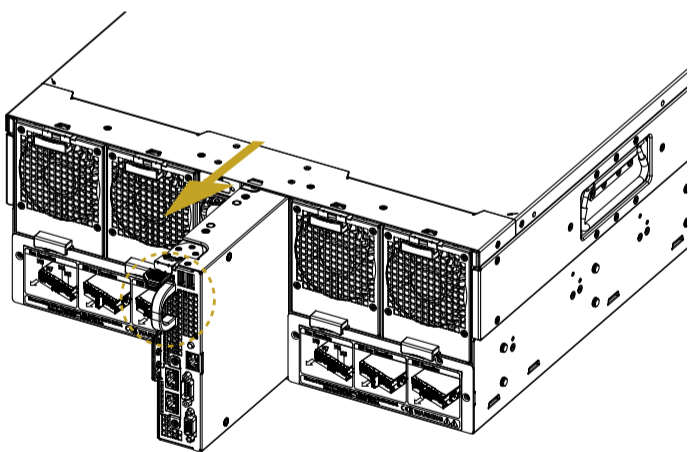
3 Lock the clips.



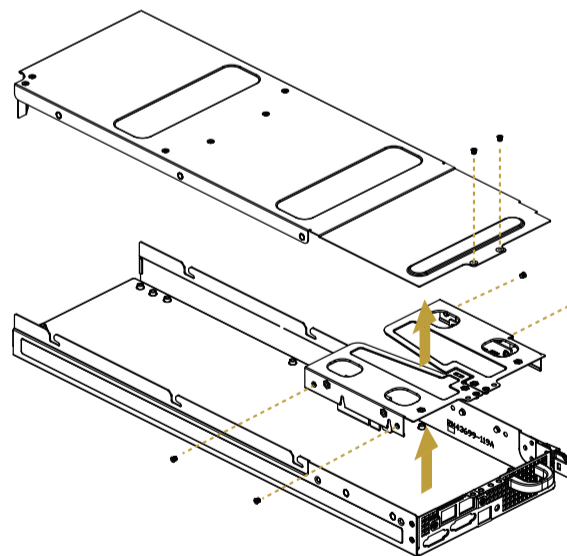
Capacity	CPU1	CPU2
256GB/ 512GB	DDR4_A1	DDR4_E1
	DDR4_B1	DDR4_F1
	DDR4_C1	DDR4_G1
	DDR4_D1	DDR4_H1

4 Install the Motherboard

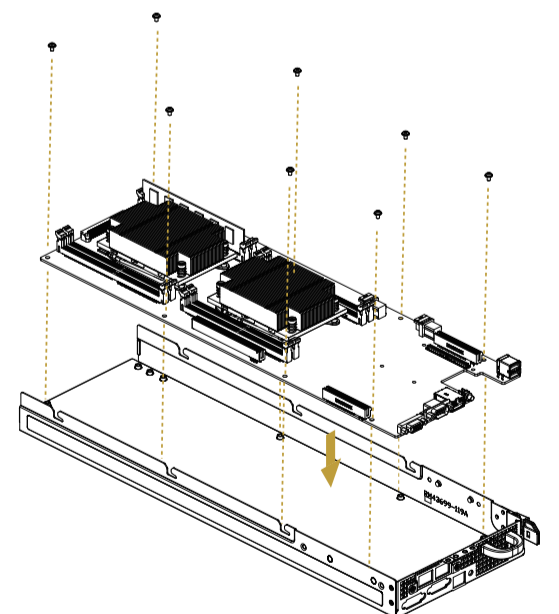
1 Press the lever toward the handle and pull out the motherboard tray.



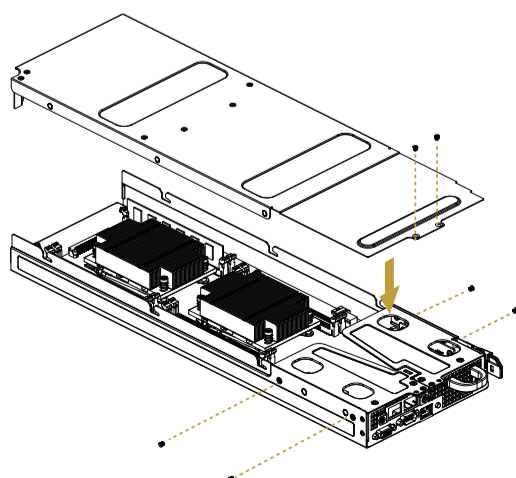
2 Loosen the screws to remove the tray cover and the riser-card bracket.



3 Gently place the motherboard into the chassis. Align mounting holes of the motherboard to the standoff on the chassis. Affix the screws clockwise into the mounting holes in all of the corners of the motherboard.



4 Put the tray cover and the bracket back and secure them with screws.



5 Carefully slide the motherboard tray all the way into the bay until it clicks into place.

